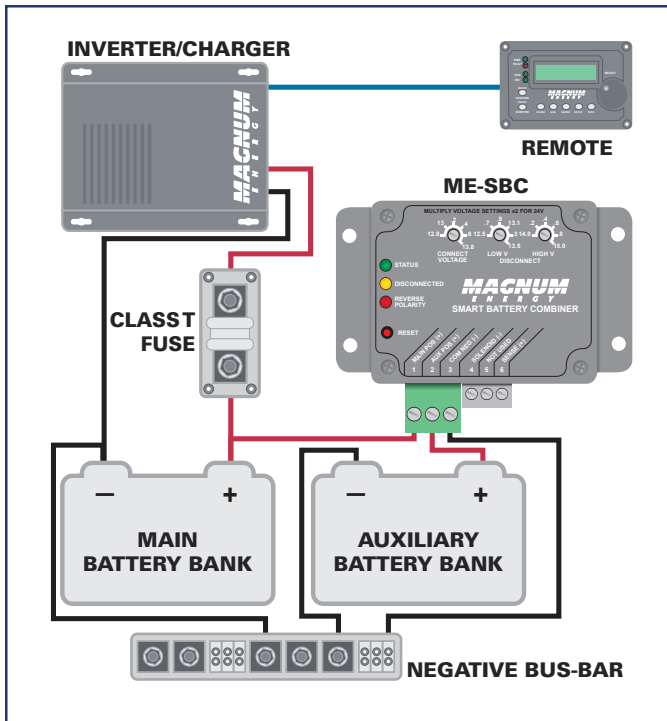
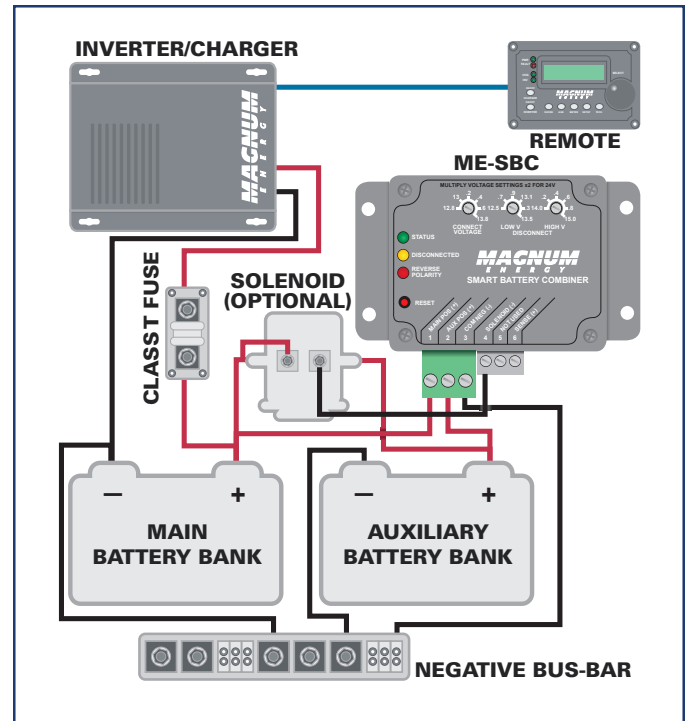


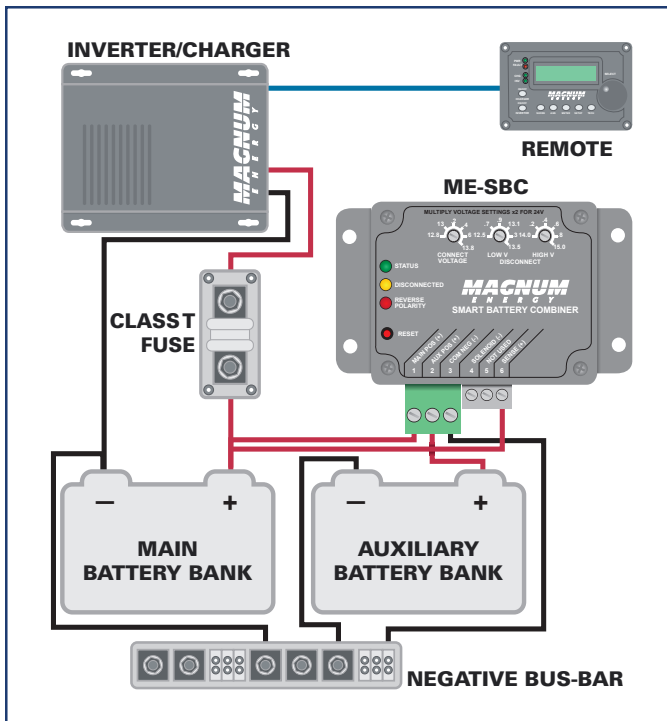
ME-SBC Basic Configuration Diagrams



25 amp Combiner Mode



Solenoid Drive



Remote Voltage Sense

ME-SBC Specifications

ME-SBC	
DC volts	12 or 24 VDC nominal
DC amps	25 amps continuous
Maximum VDC	40 volts peak
Average operating tare loss	~150 mW
Maximum operating tare loss	< 220 mW
Non-operating tare loss	< 50 mW
Operating range	0 - 32 VDC
Shipping weight	0.9 kg (2 lbs)
Shipping dimensions (l x w x h)	15.2 x 22.9 x 6.4 cm (6" x 9" x 2.5")
Unit dimensions (l x w x h)	10.7 x 13.7 x 3.6 cm (4.2" x 5.4" x 1.4")
Maximum operating temperature	-40° C to +85° C (-40° F to +185° F)
Maximum storage temperature	-40° C to +90° C (-40° F to +194° F)

Testing for specifications at 25° C. Specifications subject to change without notice.