

Automatic Generator Start Module (AGS)



MODEL NUMBERS

- ME-AGS-S*
- ME-AGS-N

AVAILABLE FOR

- Marine Systems
- RV Systems
- Renewable Energy Systems
- Off-grid
- Back-up

WORKS WITH

- ME Series
- MM Series
- MMS Series
- MS Series
- MS-PAE Series
- RD Series

AVAILABLE ACCESSORIES

- ME-PT-1
- ME-PT-2

Please call and ask about our PT-1 and PT-2 pigtails for starting on-demand applications.

Imagine being able to enjoy a day away all-the-while knowing your living space will stay cool and comfortable and your batteries will stay charged and ready for all of the activities that make up daily life. There's nothing better than returning to a nice, cool, comfortable home with charged batteries after a day away. The Magnum Auto Gen Start (AGS) can make this happen.

The Magnum AGS is compatible with most major generators, including Onan, Powertech, Generac, Westerbeke, Kohler, EPS, Northern Lights, and most portable generators with electric start. Please check with your Magnum dealer for specific model compatibility.

Automatically start your generator: The ME-AGS-S is designed to automatically start your generator based on low battery condition or the inside room temperature.

Adjust the AGS to meet your needs: With the ME-AGS-N you can set multiple parameters for starting and stopping the generator. Using the ME-RC, the ME-AGS-N has basic adjustments starting on battery voltage or temperature. When using the ME-ARC or the ME-RTR, the ME-AGS-N has advanced start and stop features, including battery voltage, time of day, AC amps, exercise time, and SOC**.

Manual start and stop: Auto Gen Start settings do not interfere with the manual start / stop operation of the generator. Just use any existing start / stop switch for your generator.

ME-AGS-N FEATURES

- All settings are adjustable from the ME-RC and ME-ARC remotes and the ME-RTR router.
- Auto start is locked out when utility power is present.
- Portable generator mode.
- The AGS accommodates 12, 24, and 48 volt settings.

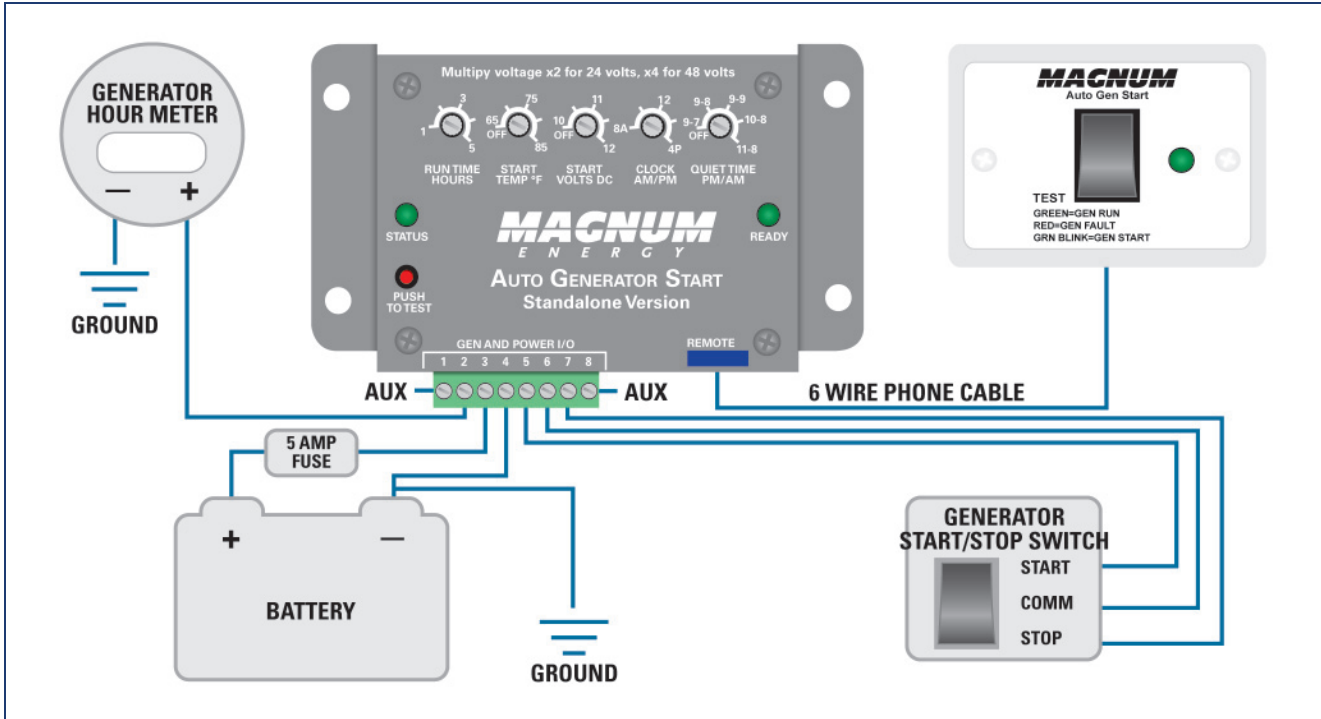
Two models are available: The stand alone version of the AGS (ME-AGS-S) works well for installation and operation without an inverter. The network version of the AGS (ME-AGS-N) allows operation of the AGS via the ME-RC50 and ME-ARC50 remote panels and the ME-RTR router.

ME-AGS-N kit includes: AGS module, 10' network cable, and a 60' remote temperature sensor cable.

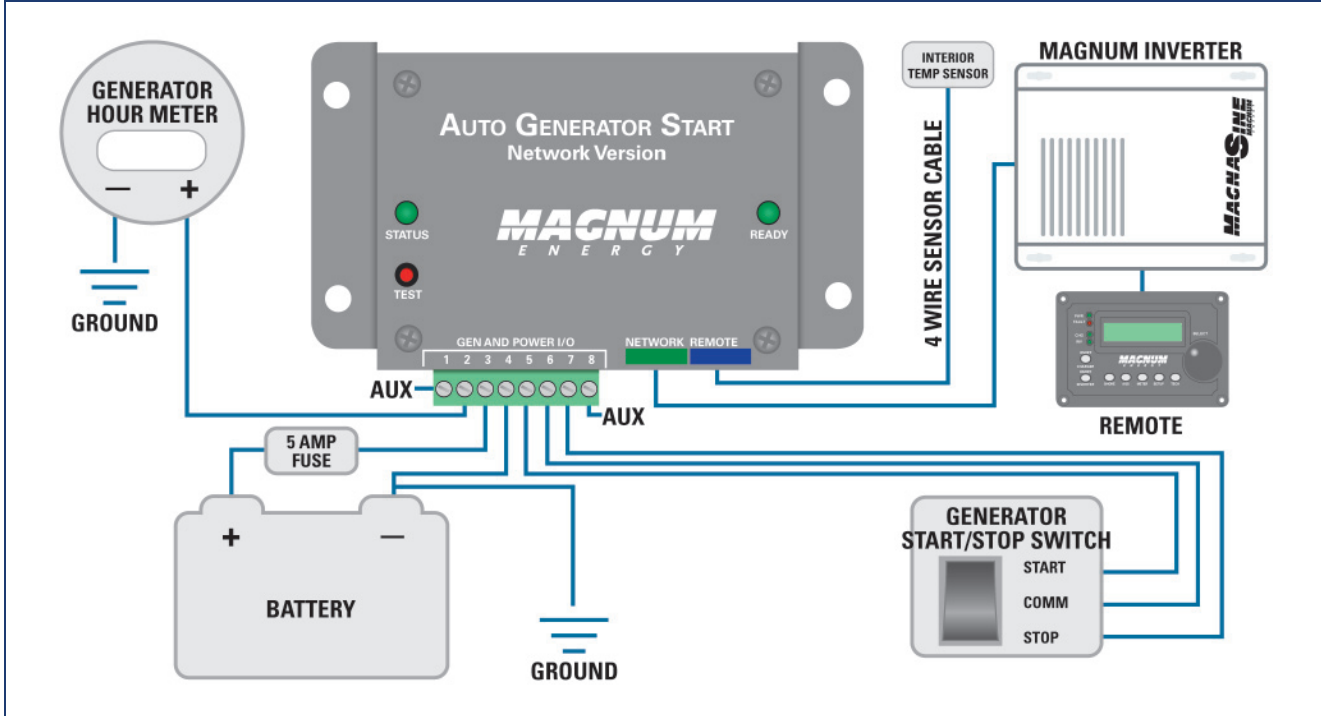
ME-AGS-S kit includes: AGS module, Remote on/off/test switch, switch bezel, a 25' 6-wire cable, and has basic adjustments starting on battery voltage or temperature.

* The ME-AGS-S does not require an inverter / charger.
 **ME-BMK or ME-BMK-NS required for SOC.

AGS Wiring Diagram for Stand Alone Systems (ME-AGS-S)



AGS Wiring Diagram for Networked Systems (ME-AGS-N)



* AGS-N features require Remote rev 1.6 and AGS rev 4.0 or higher.

Magnum Energy, Inc.
2211 West Casino Road
Everett, Washington 98204 USA

Phone: 425-353-8833
Fax: 425-353-8390
Web: www.magnumenergy.com

Testing for specifications at 25° C
Specifications subject to change without notice.

January 2012, Rev C

Part #64-0010

Authorized Magnum Dealer